

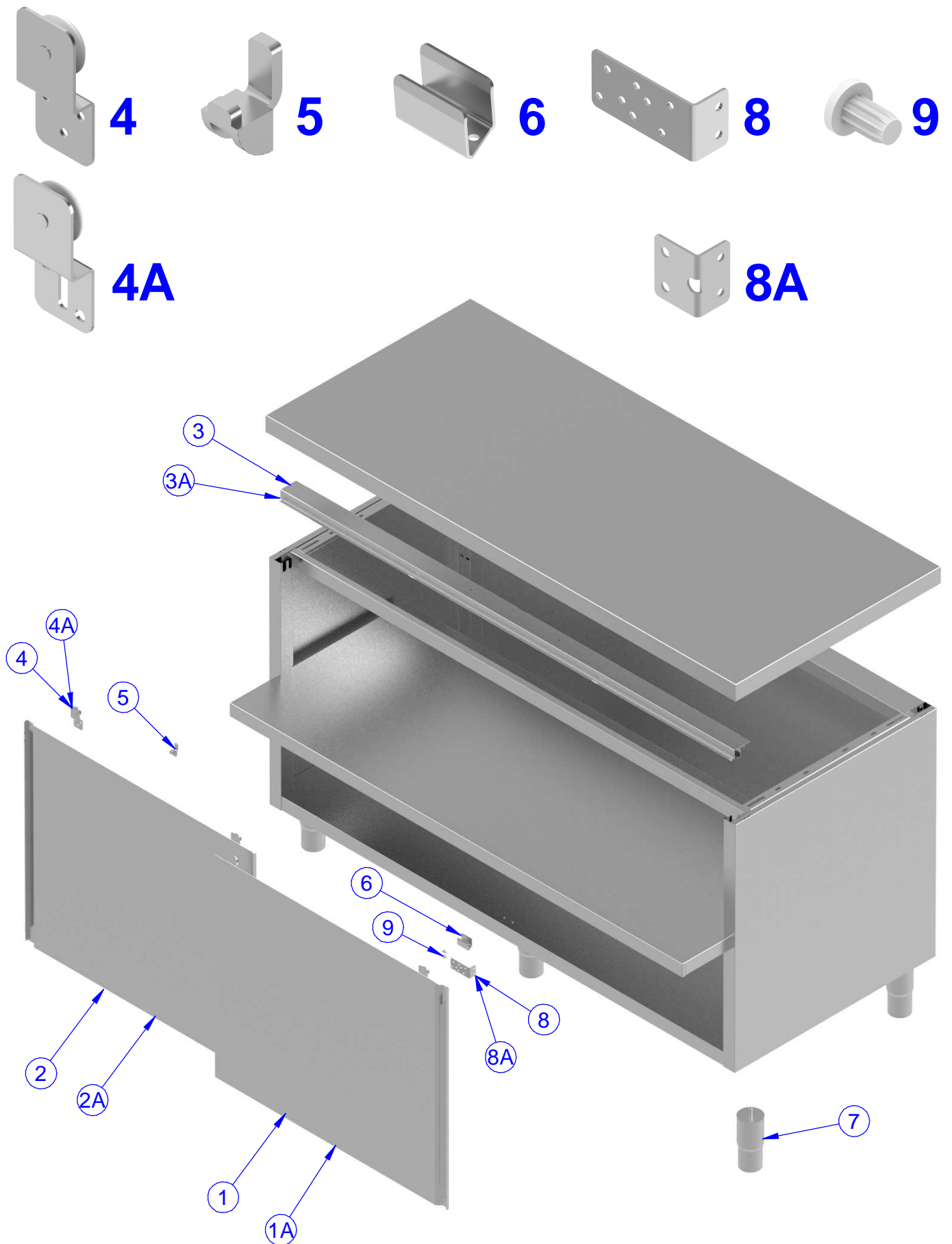
**TAVOLO ARMADIO CON 2 PORTE SCORREVOLI
WORKTOP CUPBOARDS WITH 2 SLIDING DOORS**

PNC	MODEL	L = mm	H = mm	REF	PNC	MODEL
132770	MTN1000PN	1000	900	a	132856	MS1007N
132771	MTN1200PN	1200	900	b	132857	MS1207N
132772	MTN1400PN	1400	900	c	132858	MS1407N
132773	MTN1600PN	1600	900	d	132859	MS1607N
132774	MTN1800PN	1800	900	e	132860	MS1807N
132775	MTN2000PN	2000	900	f	132861	MS2007N

Pag.	Descrizione	Description
1	Indice	Index
2	Disegni	Drawings
3-4	Lista ricambi	Spare parts list

Brand / Marchio: STD - EB

TAVOLO ARMADIO CON 2 PORTE SCORREVOLI
WORKTOP CUPBOARDS WITH 2 SLIDING DOORS



TAVOLO ARMADIO CON 2 PORTE SCORREVOLI WORKTOP CUPBOARDS WITH 2 SLIDING DOORS

POS	(x) Valido dal Seriale 908xxx To be used from S/N 908xxx	COD	DESCRIZIONE	DESCRIPTION	Alias code	NOTES/REF.
1		0PEA41	Porta scorrevole destra 1000	Right sliding door 1000	21400A041	
1A	x				2140AA041	a
1		0PE995	Porta scorrevole destra 1200	Right sliding door 1200	21400A046	
1A	x				2140AA046	b
1		0PE981	Porta scorrevole destra 1400	Right sliding door 1400	21400A024	
1A	x				2140AA024	c
1		0PEB04	Porta scorrevole destra 1600	Right sliding door 1600	21400A006	
1A	x				2140AA006	d
1		0PEA47	Porta scorrevole destra 1800	Right sliding door 1800	21400A048	
1A	x				2140AA048	e
1		0PEB05	Porta scorrevole destra 2000	Right sliding door 2000	21400A056	
1A	x				2140AA056	f
1		0PE976	Porta scorrevole destra 1000 EB	Right sliding door 1000 EB	21400A086	
1A	x				2140AA086	g
1		0PE977	Porta scorrevole destra 1200 EB	Right sliding door 1200 EB	21400A088	
1A	x				2140AA088	h
1		0PE978	Porta scorrevole destra 1400 EB	Right sliding door 1400 EB	21400A094	
1A	x				2140AA094	i
1		0PE979	Porta scorrevole destra 1600 EB	Right sliding door 1600 EB	21400A077	
1A	x				2140AA077	j
1		0PE980	Porta scorrevole destra 1800 EB	Right sliding door 1800 EB	21400A091	
1A	x				2140AA091	k
1		0PE982	Porta scorrevole destra 2000 EB	Right sliding door 2000 EB	21400A093	
1A	x				2140AA093	l
2		0PEA42	Porta scorrevole sinistra 1000	Left sliding door 1000	21400A042	
2A	x				2140AA042	a
2		0PE996	Porta scorrevole sinistra 1200	Left sliding door 1200	21400A045	
2A	x				2140AA045	b
2		0PEB06	Porta scorrevole sinistra 1400	Left sliding door 1400	21400A025	
2A	x				2140AA025	c
2		0PEB07	Porta scorrevole sinistra 1600	Left sliding door 1600	21400A007	
2A	x				2140AA007	d
2		0PEB08	Porta scorrevole sinistra 1800	Left sliding door 1800	21400A049	
2A	x				2140AA049	e
2		0PEB09	Porta scorrevole sinistra 2000	Left sliding door 2000	21400A057	
2A	x				2140AA057	f
2		0PE983	Porta scorrevole sinistra 1000 EB	Left sliding door 1000 EB	21400A087	
2A	x				2140AA087	g
2		0PE984	Porta scorrevole sinistra 1200 EB	Left sliding door 1200 EB	21400A089	
2A	x				2140AA089	h

TAVOLO ARMADIO CON 2 PORTE SCORREVOLI WORKTOP CUPBOARDS WITH 2 SLIDING DOORS

POS	(x) Valido dal Seriale 908xxx To be used from S/N 908xxx	COD	DESCRIZIONE	DESCRIPTION	Alias code	NOTES/REF.
2		0PE985	Porta scorrevole sinistra 1400 EB	Left sliding door 1400 EB	21400A095	i
2A	x				2140AA095	
2		0PE986	Porta scorrevole sinistra 1600 EB	Left sliding door 1600 EB	21400A078	j
2A	x				2140AA078	
2		0PE987	Porta scorrevole sinistra 1800 EB	Left sliding door 1800 EB	21400A090	k
2A	x				2140AA090	
2		0PE988	Porta scorrevole sinistra 2000 EB	Left sliding door 2000 EB	21400A092	l
2A	x				2140AA092	
3		0PEA86	Guida Porte Scorrevoli 1000	Guida Porte Scorrevoli 1000	21400A040	a,g
3A	x				2140AA040	
3		0PEA87	Guida Porte Scorrevoli 1200	Guida Porte Scorrevoli 1200	21400A047	b,h
3A	x				2140AA047	
3		0PEA88	Guida Porte Scorrevoli 1400	Guida Porte Scorrevoli 1400	21400A023	c,i
3A	x				2140AA023	
3		0PEA89	Guida Porte Scorrevoli 1600	Guida Porte Scorrevoli 1600	21400A005	d,j
3A	x				2140AA005	
3		0PEA90	Guida Porte Scorrevoli 1800	Guida Porte Scorrevoli 1800	21400A051	e,k
3A	x				2140AA051	
3		0PEA91	Guida Porte Scorrevoli 2000	Guida Porte Scorrevoli 2000	21400A055	f,l
3A	x				2140AA055	
4		0PEA43	Carrello Porta scorrevole	Carrello Porta scorrevole	21400A008	a,b,c,d,e,f,g,h,i,j,k,l
4A	x				2140AA008	
5		0PEA44	Supporto Ripiano	Supporto Ripiano	254000231	a,b,c,d,e,f,g,h,i,j,k,l
6		0PEA45	Pattino porte scorrevoli	Pattino porte scorrevoli	20400A021	a,b,c,d,e,f,g,h,i,j,k,l
7		0PEA92	Piede regolabile	Piede regolabile	254000203	a,b,c,d,e,f,g,h,i,j,k,l
8		0PEA46	Freno Porta scorrevole	Freno Porta scorrevole	20400A018	a,b,c,d,e,f,g,h,i,j,k,l
8A	x				2040AA018	
9		0PEA51	Batti Porta Ø4	Batti Porta Ø4	254000208	a,b,c,d,e,f,g,h,i,j,k,l